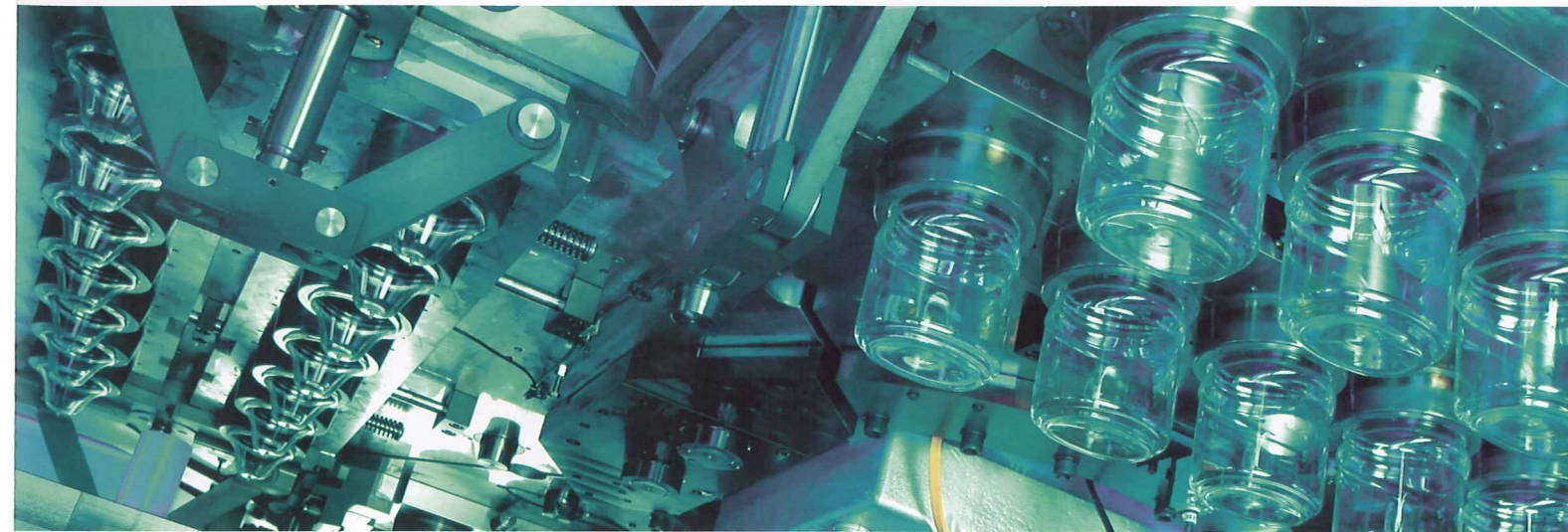


One-Step Injection Stretch Blow Molding Machine

ASB Series  
**ASB-150DPW**

The Highest Productivity ASB Series Model



**NISSEI ASB MACHINE CO., LTD.**

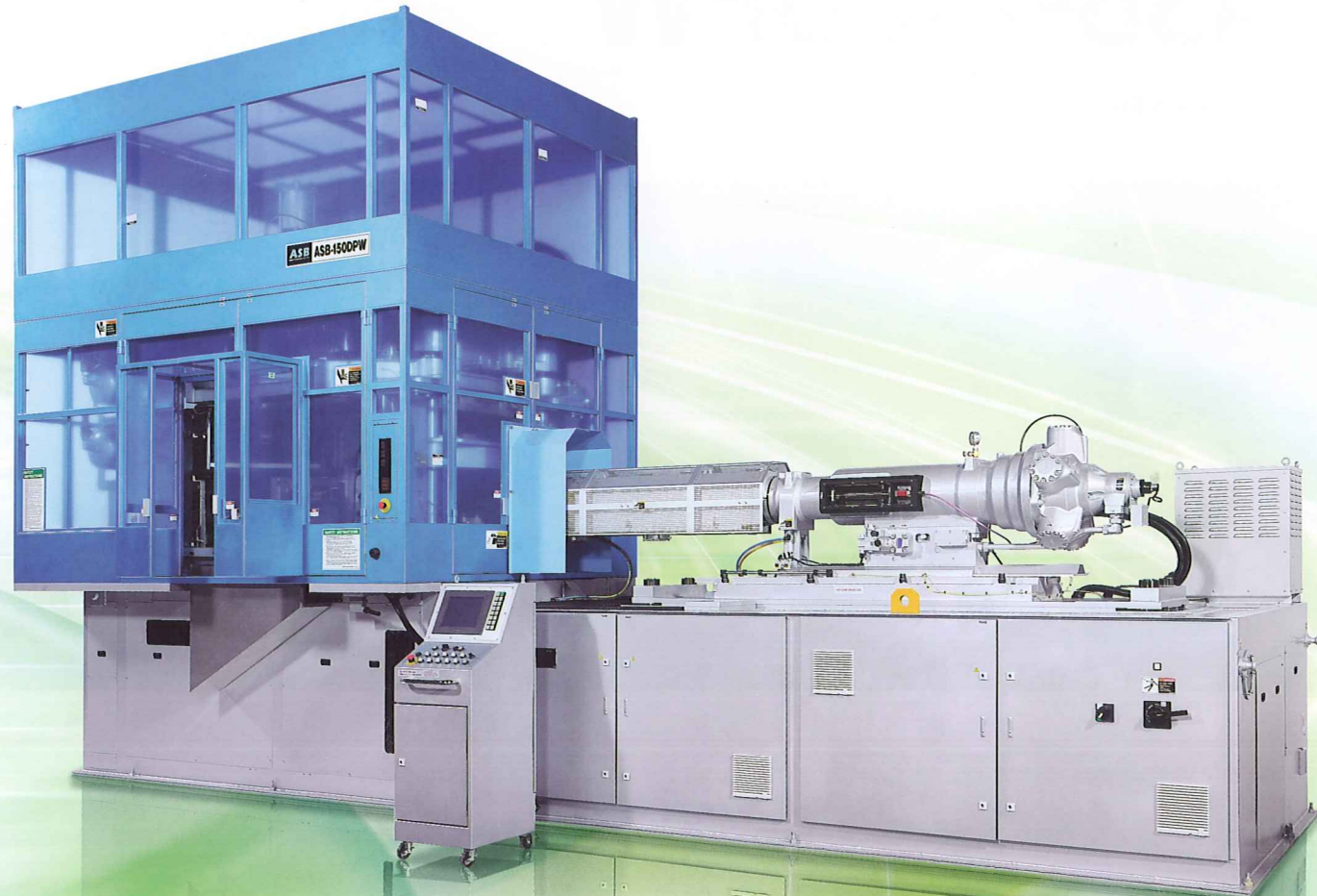
4586-3 Koo, Komoro-Shi, Nagano-Ken 384-8585, JAPAN  
TEL: 81 (267) 23-1565 FAX: 81 (267) 23-1564 E-Mail: sales@nisseiasb.co.jp  
<http://www.nisseiasb.co.jp/en>

- Head Office and Factory** **NISSEI ASB MACHINE CO., LTD.**  
4586-3 Koo, Komoro-shi, Nagano-ken 384-8585, JAPAN  
TEL: 81 (267) 23-1565 FAX: 81 (267) 23-1564 E-Mail: sales@nisseiasb.co.jp
- U. S. A. and CANADA** **NISSEI ASB COMPANY**  
125 Westlake Parkway Suite 120, Atlanta, Georgia 30336 U.S.A.  
TEL: 1 (404) 699-7755 FAX: 1 (404) 696-9009 E-Mail: sales@nissei-asbus.com
- Central America** **NISSEI ASB CENTRO AMERICA, S.A. DE C.V.**  
Torres Adalid 618 1er Piso, Col. Del Valle C.P. 03100, México, D.F., MEXICO  
TEL: 52 (555) 669-00-69 FAX: 52 (555) 669-16-45 E-Mail: info@asbcentroamerica.com
- South America** **NISSEI ASB SUDAMERICA LTDA.**  
Rua Dom Joao V, 435/437, São Paulo-SP-Brasil CEP 05075-060, BRAZIL  
TEL: 55 (11) 3641-1012/1013/1014 FAX: 55 (11) 3831-9948 E-Mail: sales@nisseiasb.com.br
- U.K. and IRELAND** **NISSEI ASB LIMITED**  
2 Milnyard Square, Bakewell Road, Orton Southgate, Peterborough PE2 6GX, U.K.  
TEL: 44 (1733) 233544 FAX: 44 (1733) 235647 E-Mail: sales@nisseiasb.co.uk
- Europe, CIS, Turkey and Egypt** **NISSEI ASB GmbH**  
Mündelheimer Weg 58, 40472 Düsseldorf, GERMANY  
TEL: 49 (211) 94104-0 FAX: 49 (211) 94104-39 E-Mail: nissei@nisseiasb.de
- DENMARK Office**  
Færgemarken 23/-1, 3600 Frederikssund, DENMARK  
TEL: 45 4738-4243 FAX: 45 4738-4263
- Iberia, Italy and Maghreb** **NISSEI ASB MEDITERRANEA, S.L.U.**  
Polígono Industrial Vallegón Pabellón 38, 39709 Samano (Cantabria), SPAIN  
TEL: 34 (942) 87-1016 FAX: 34 (942) 86-7922 E-Mail: nisseiasb@nisseiasbmediterranea.com

- South & West Asia, Oceania, and Southern Africa** **NISSEI ASB PTE. LTD.**  
85 Science Park Drive #01-03 The Cavendish Singapore Science Park I SINGAPORE 118259  
TEL: 65-6778-4633 FAX: 65-6778-9440 E-Mail: asbsin@singnet.com.sg
- ASB PTE (THAILAND) CO., LTD.**  
124 Soi 1 Sukhumvit 62 Sukhumvit Road Bangchak Prakanong Bangkok 10260 THAILAND  
TEL: 66 (2) 311-7556/7557/7558 FAX: 66 (2) 741-7295 E-Mail: asbpte@truemail.co.th
- NISSEI ASB SOUTH AFRICA (Pty) LTD.**  
97 Sovereign Drive, Route 21 Corporate Park, Nelmapius Drive, Irene Ext.30, 0062, 0157, SOUTH AFRICA  
TEL: 27 (12) 345-4924 FAX: 27 (12) 345-5667 E-Mail: sales@nisseiasb.co.za
- PT. ASB INDONESIA**  
Jl. Pangeran Jayakarta, No. 26, Block A-18, Jakarta Pusat 10730, INDONESIA  
TEL: 62 (21) 629-7978/5018 FAX: 62 (21) 629-5010 E-Mail: asbindonesia@cbn.net.id
- PHILIPPINES Office**  
Unit 1703 Annapolis Wishe Plaza No.11 Annapolis Street, Greenhills San Juan, Metro Manila, PHILIPPINES 1500  
TEL: 63 (2) 725-4220 FAX: 63 (2) 725-4203 E-Mail: nisseiasb@smartbro.net
- VIETNAM Office**  
Suite 601 6th floor, Zen Plaza 54-56 Nguyen Trai Street, Dist 1, Ho Chi Minh City, VIETNAM  
TEL: 84 (8) 3925-1008 FAX: 84 (8) 3925-1009 E-Mail: nisseiasb@vnn.vn
- INDIA BRANCH Office**  
309-311, Ansal Chambers-II 6, Bhikaji Cama Place, New Delhi 110 066, INDIA  
TEL: 91 (11) 2618-1615/2619-4031 FAX: 91 (11) 2619-4129 E-Mail: asbdei@asbi.co.in
- PAKISTAN Office**  
409, Progressive Square 11-A, Block-6, P. E. C. H. S. Karachi 75400, PAKISTAN  
TEL: 92 (21) 3454-6533 FAX: 92 (21) 3453-7469 E-Mail: asbpakistan@atglobal.net
- AUSTRALIA Office**  
Unit 1 61-63 Eastgate Street, Pascoe Vale South, Victoria 3044, AUSTRALIA  
TEL: 61 (3) 9355-7457 E-Mail: asbaust@alphalink.com.au
- Middle East and Central Africa** **NISSEI ASB FZE**  
Jebel Ali Free Zone (South) Warehouse No. FZS1B-H06 P.O. Box: 16789, Dubai, U.A.E.  
TEL: 971 (4) 8860919 FAX: 971 (4) 8860918 E-Mail: asbuae@emirates.net.ae
- Overseas Factory and Sales** **ASB INTERNATIONAL PVT. LTD.**  
E-9, MIDC, Industrial Area, Anand Nagar, Adil. Ambarnath, District-Thane-421506, Maharashtra, INDIA  
TEL: 91 (251) 262-5000/1802 FAX: 91 (251) 262-5035/5055 E-Mail: sales@asbi.co.in
- SHANGHAI ASB MACHINE CO., LTD.**  
Shanghai Jiuting Econ-Techno. Development Zone, No.168 Puhui-Road 201615, PR. CHINA  
TEL: 86 (21) 5763-0233 FAX: 86 (21) 5763-0227 E-Mail: promotion@shasb.com



[www.nisseiasb.co.jp/en](http://www.nisseiasb.co.jp/en)



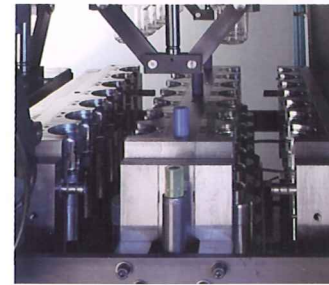
### Perfect for Mass Production of Small and Medium Containers

The ASB-150DPW can produce containers with necks larger than  $\phi 60\text{mm}$  — something the ASB-70DPW cannot do — and up to  $\phi 94\text{mm}^{*1}$ . Such versatility is ideal for high-volume production of small and medium containers, and makes the ASB-150DPW ideally suited to many different markets. (For bottle and jar molding: necks from  $\phi 15\text{mm}$  to  $\phi 94\text{mm}$ ; volumes from 150ml to 1500ml; weights from 6g to 181g. Productivity <approx.>: 5,400BPH for  $\phi 30\text{mm}$ , 250ml infusion bottles; 4,300BPH for  $\phi 52\text{mm}$ , 430ml small, wide-mouth containers.)

\*1: Maximum T dimension of neck (subject to machine specification)

### Two-Row Cavity Layout, High Productivity

The ASB-150DPW combines the power of the ASB-70DPW's two-row cavity layout and the ASB-150DP's 150-ton (1472kN) injection clamping



force. It can mold 28 cavities with 30mm necks or 18 cavities with 63mm necks — two very popular neck sizes. It can handle up to 36 cavities for smaller containers (24.5mm necks), extremely high production rates for a one-step molding machine.

### Stacked Blow Mold

Though it's the same size and consumes the same amount of power as the ASB-150DP, the ASB-150DPW is dramatically more productive. It has twice the cavitation, thanks to a stacked blow mold that uses the same blow clamping force.

### Conditioning Station

ASB's unique conditioning station can be used in different ways to modify the preform condition, allowing greater design versatility and maximizing stability. For special processes (e.g., molding narrow-necked PP containers such as infusion bottles), the conditioning station can set three different pitch dimensions between the double-row lip cavities, enabling the use of our split-type conditioning blow method. This permits precise pre-blowing and temperature control of the preform, resulting in the highest-quality bottles. (Pat. pending)



### Excellent Cost Performance

The ASB-150DPW's bottle productivity is almost double the ASB-70DPW's, while its power consumption is about 40%<sup>\*2</sup> less than our previous class-leading ASB-650. As a result, it simultaneously achieves high productivity and economic efficiency.

\*2: This figure is for reference. Actual power consumption depends on the mold and the molding cycle time.

### Typical Containers

- Applications :  
Food (e.g., condiments, dry goods, peanut butter, salad dressing, coffee granules), liquor, infusion bottles, baby feeding bottles, cosmetics, pharmaceutical
- Molding Materials :  
PET, PP
- Shapes :  
Wide-mouth, oval, PET Can, irregular, ultra-light, etc.

Machine Specification	Unit	ASB-150DPW
Theoretical Injection Capacity	cm <sup>3</sup>	1,330
Driving Power (Rated)	kW	82.5
Heater Capacity (Rated)	kW	82.7
Oil Reservoir Capacity	L	1,000
Machine Size (L×W×H)	mm	7,560 × 2,400 × 4,388
Machine Weight (Approx.)	ton	25

● Specifications are subject to change without any obligation on the part of the manufacturer.

Products Specification	Unit	ASB-150DPW											
		(8)	10	12	14	16	(18)	20	24	(28)	(32)	(36)	
Cavity Number	cavity	(8)	10	12	14	16	(18)	20	24	(28)	(32)	(36)	
Max. Capacity	L	(1.5)	1.5	1.5	1.5	1.3	(0.9)	0.6	0.5	(0.3)	(0.2)	(0.15)	
Max. Thread Diameter	T	mm	(94)	85	78	72	67	(63)	55	42	(32)	(27)	(24.5)
Max. Neck Diameter	E	mm	(91)	82	75	69	64	(60)	52	39	(29)	(24)	(22.5)
Max. Support Ring Diameter	SR	mm	(91)	82	75	69	64	(63)	55	42	(32)	(27)	(25)
Max. Body Diameter	BD	mm	(98)	98	98	98	93	(83)	74	61	(51)	(45)	(39.5)
Max. Width Parting Line	WD	mm	(190)	(160)	(124)	(105)	(93)	(83)	(74)	(61)	(51)	(45)	(39.5)
Max. Height	HB	mm	(250)	250			(250)	250		(250)			
Max. Weight <sup>*3</sup>	g	(141)	113	94	81	71	(62)	56	47	(40)	(35)	(31)	

● All figures are subject to container configuration. ● ( ) Optional feature \*3: Using standard B-Screw and PET



● 150 ton Injection Clamping Force

## A breakthrough for molding small, wide-mouthed containers.

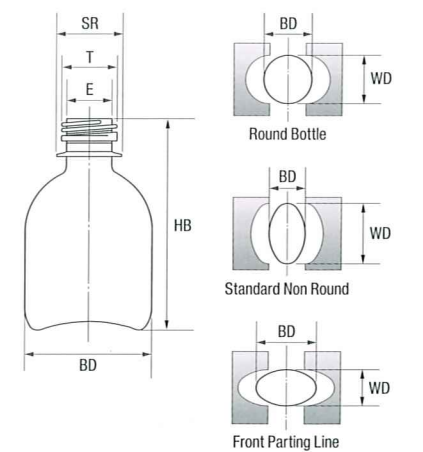
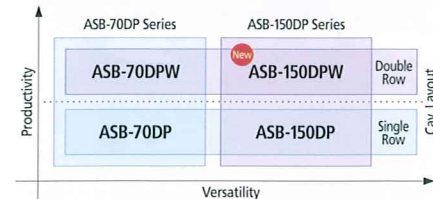
Superb mass production capability and flexibility.

Increased productivity with double row cavity layout based on our best selling ASB-70DPH versatility... that is the ASB-70DPW.

Using the same double row cavity methodology, we pursued even more versatility and productivity, resulting in the creation of the ASB-150DPW.

Having similar specifications to the ASB-150DP, yet being able to mold more cavities, it boasts the highest production output in the ASB series.

The ASB-150DPW has become the ASB Series flagship model - its great versatility and productivity make it suitable for many different markets.



\*Machine shown in photo may include options.